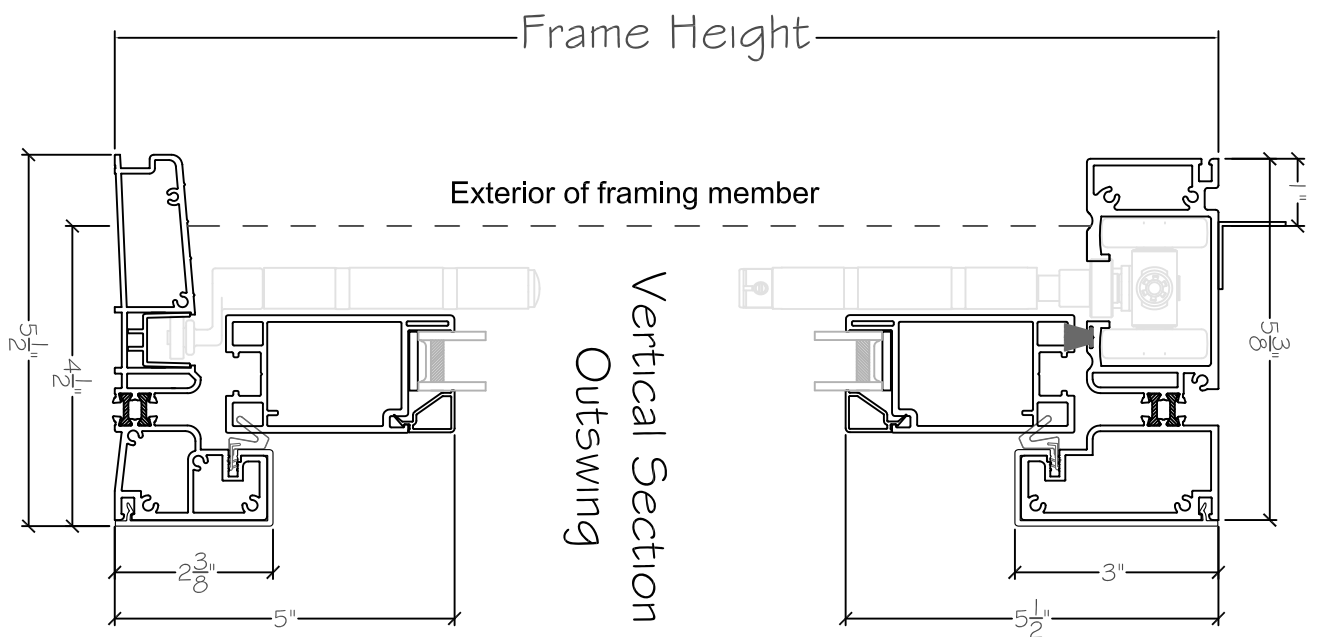


Project: File name: 2300 Master Drawings Date: 20160401
 Notes: Layout: BF V-Cutaway (outswing) Drawn by: D May



Notice: This document contains information proprietary to and is protected by copyright of Win-Dor Inc. and shall not be copied, disclosed to others, or used for any purpose other than that for which it is given, without the written permission of Win-Dor Inc.

WIN/DOR
 www.windorsystems.com
 450 Delta Ave
 Brea, Ca 92821
 (714) 385-1202