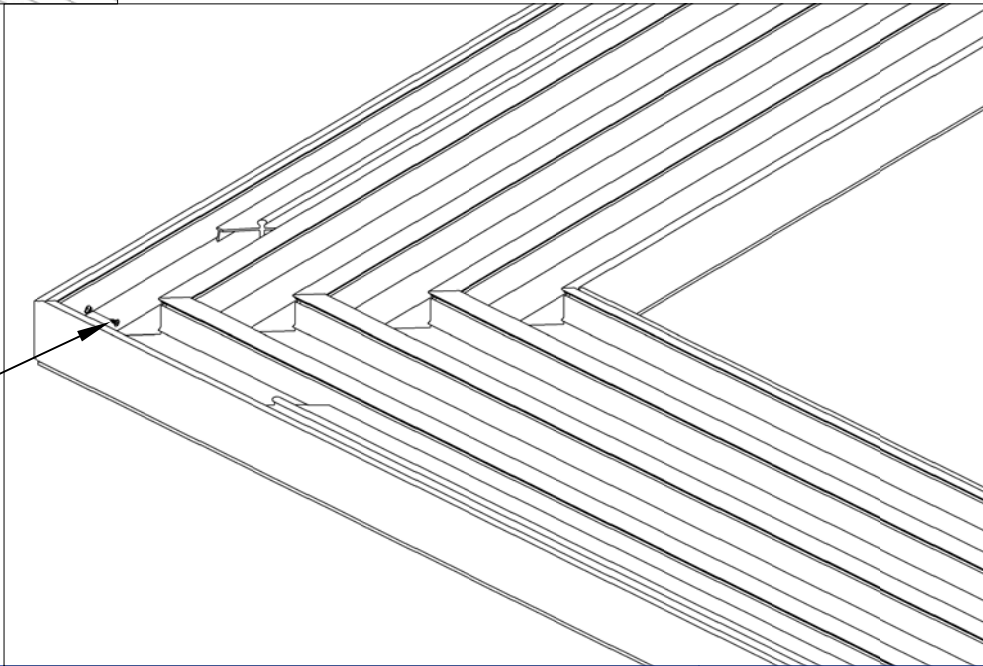


- *Install (#3) Corner Keys (Taped to #2 Corner key for shipping)
- *Remove the set screw from (#1) Corner key
- *Slide the (#4) roller Track 6" from the corner of the frame

(1) 90 and 270 Corner Door KD Key with Set Screw

90 and 270 Corner Door KD Key Set Screw

- *Remove the set screw from (#1) Corner key
- *Apply 5555 Clear Seam Sealer
- *Press frame corner together
- *Install the set screw
- *Wipe clean any excess sealant
- *Slide tracks back into place



Project:

File name: 4 Track 270 Assembly

Date: 20181128

Notes:

Layout: 270 Frame Corner Assembly

Drawn by: J Johnson