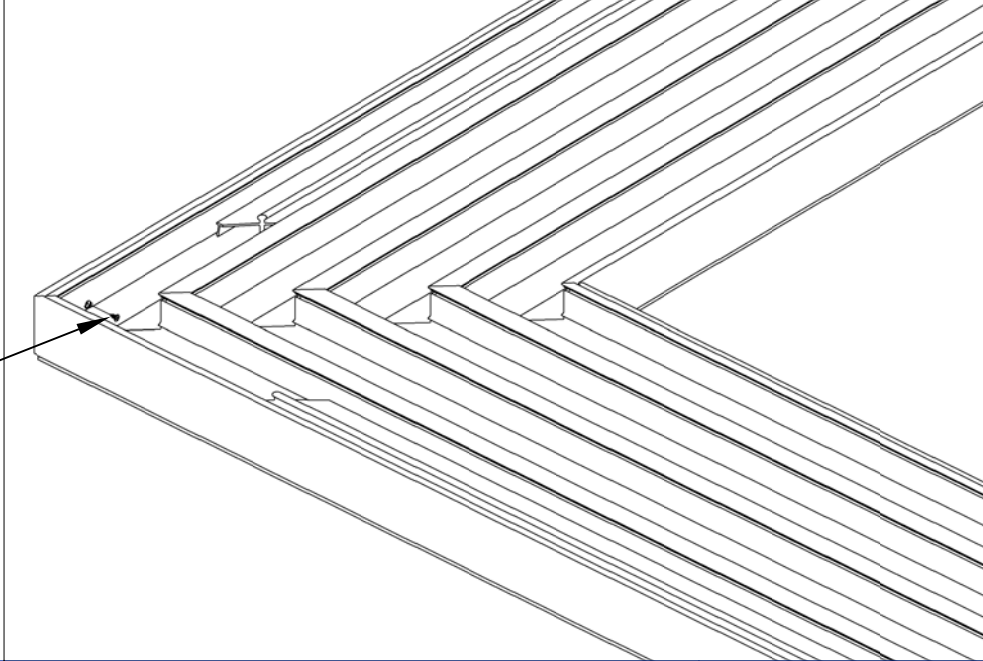


- *Install (#3) Corner Keys (Taped to #2 Corner key for shipping)
- *Remove the set screw from (#1) Corner key
- *Slide the (#4) roller Track 6" from the corner of the frame

(1) 90 and 270 Corner Door KD Key with Set Screw

90 and 270 Corner Door KD Key Set Screw

- *Remove the set screw from (#1) Corner key
- *Apply 5555 Clear Seam Sealer
- *Press frame corner together
- *Install the set screw
- *Wipe clean any excess sealant
- *Slide tracks back into place



450 Delta Ave
Brea, Ca 92821
(714) 385-1202



Notice: This document contains information proprietary to and is protected by copyright of Win-Dor Inc. and shall not be copied, disclosed to others, or used for any purpose other than that for which it is given, without the written permission of Win-Dor Inc.

| | | |
|----------|-----------------------------------|---------------------|
| Project: | File name: 4 Track 270 Assembly | Date: 20190313 |
| Notes: | Layout: 270 Frame Corner Assembly | Drawn by: J Johnson |