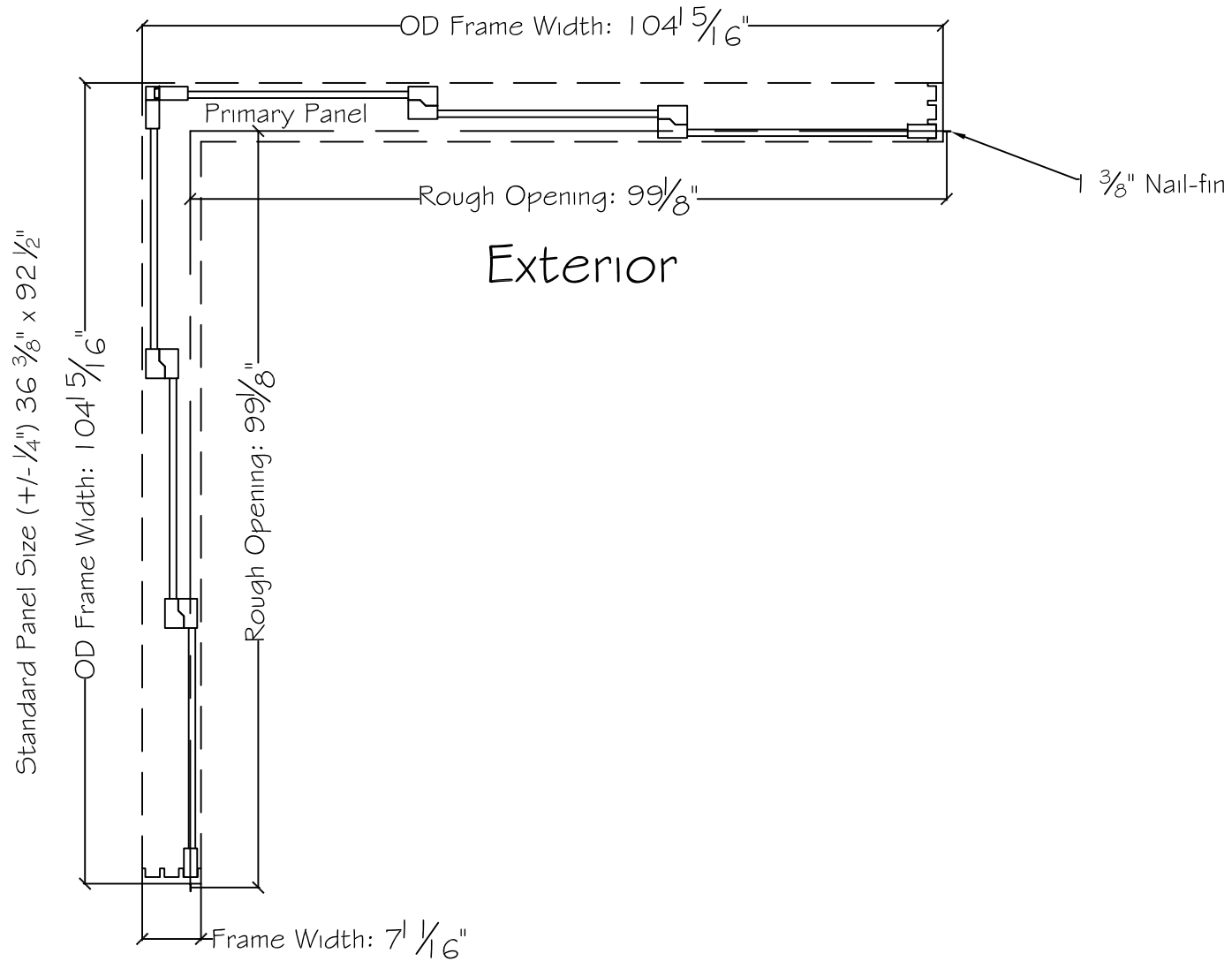


Interior

Standard Panel Size (+/- 1/4") 36 3/8" x 92 1/2"



450 Delta Ave
Brea, Ca 92821
(714) 385-1202



Notice: This document contains information proprietary to and is protected by copyright of Win-Dor Inc. and shall not be copied, disclosed to others, or used for any purpose other than that for which it is given, without the written permission of Win-Dor Inc.

Project:	File name: 3750 Multislide 270 with 1.375 inch Nail-fin	Date: 20180111
Notes:	Layout: 9090 270.3.3P with 36.375 inch Panels	Drawn by: J Johnson