

Project:

File name: 3750 Folding Door - 3.2.1 Section View - 1.375 inch Nail-fin

Date: 20171206

Notes:

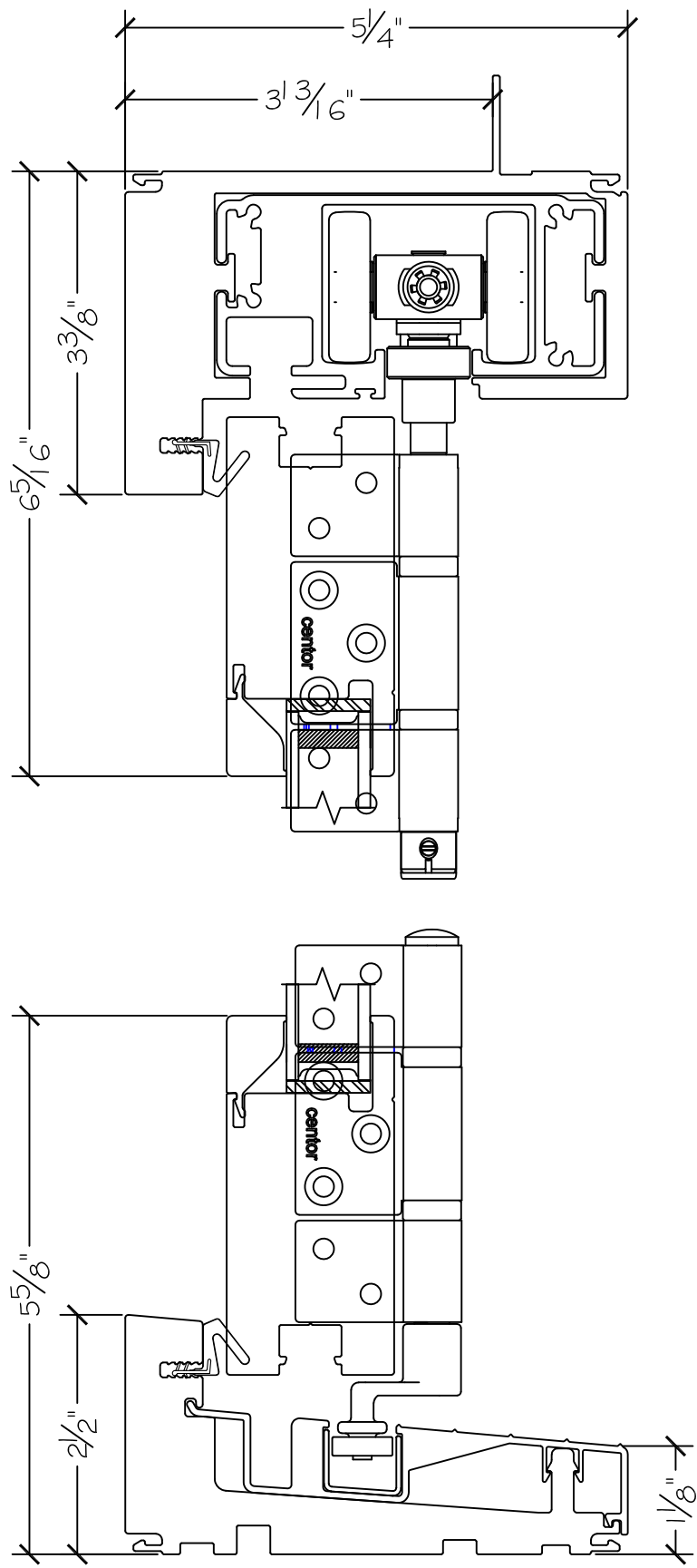
Layout: 3.2.1 Horizontal Section View

Drawn by: J Johnson

Notice: This document contains information proprietary to and is protected by copyright of Win-Dor Inc. and shall not be copied, disclosed to others, or used for any purpose other than that for which it is given, without the written permission of Win-Dor Inc.

WINDOR
www.windorsystems.com

450 Delta Ave
Brea, Ca 92821
(714) 385-1202



Project:	File name: 3750 Folding Door - 3.2.1 Section View - 1.375 inch Nail-fin	Date: 20171206
Notes:	Layout: 3.2.1 Vertical Section View	Drawn by: J Johnson

Notice: This document contains information proprietary to and is protected by copyright of Win-Dor Inc. and shall not be copied, disclosed to others, or used for any purpose other than that for which it is given, without the written permission of Win-Dor Inc.



450 Delta Ave
Brea, Ca 92821
(714) 385-1202