

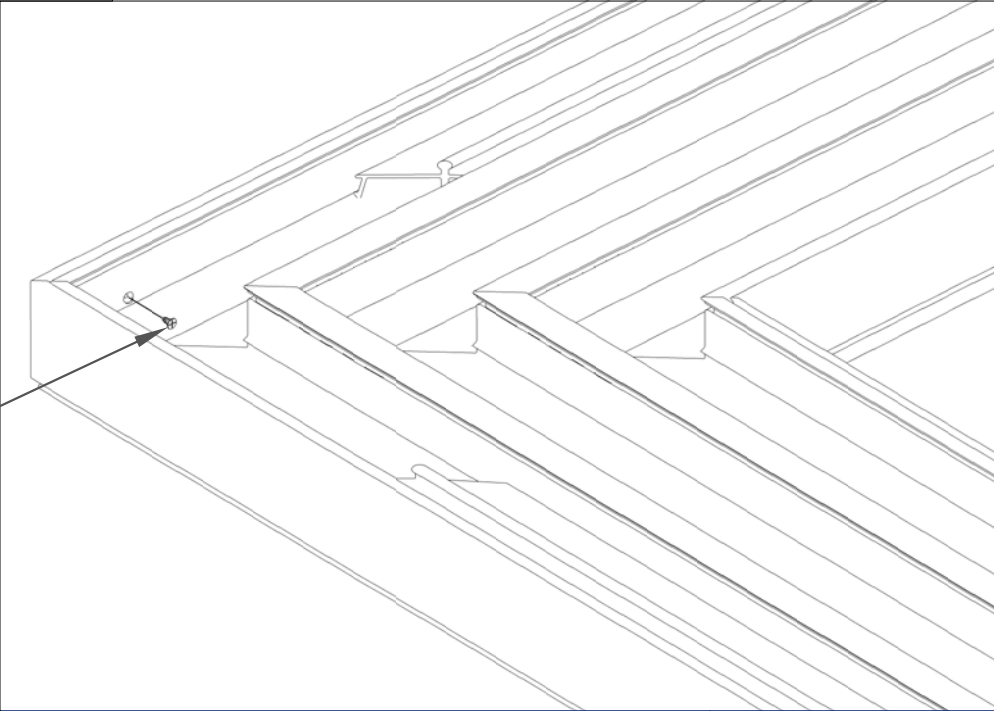
- \*Install (#3) Corner Keys (Taped to #2 Corner key for shipping)
- \*Remove the set screw from (#1) Corner key
- \*Slide the (#4) roller Track 6" from the corner of the frame

- (3) 90 and 270 Corner Door KD Key
- (2) P10516-MILL  
90 and 270 Corner Door KD  
Key
- 5262A-(WH or BG)  
3 Track Frame

(1) 90 and 270 Corner Door KD Key with Set Screw

90 and 270 Corner Door KD Key Set Screw

- \*Remove the set screw from (#1) Corner key
- \*Apply 5555 Clear Seam Sealer
- \*Press frame corner together
- \*Install the set screw
- \*Wipe clean any excess sealant
- \*Slide tracks back into place



Project:

File name: 3 Track 270 Assembly

Date: 20190313

Notes:

Layout: 270 Frame Corner Assembly

Drawn by: J Johnson