

*Upgraded Signature Series Handle

Project:

File name: 2750 Patio Door - OX Section Views - 1 inch Nail-fin_20180809

Date: 20180613

Notes:

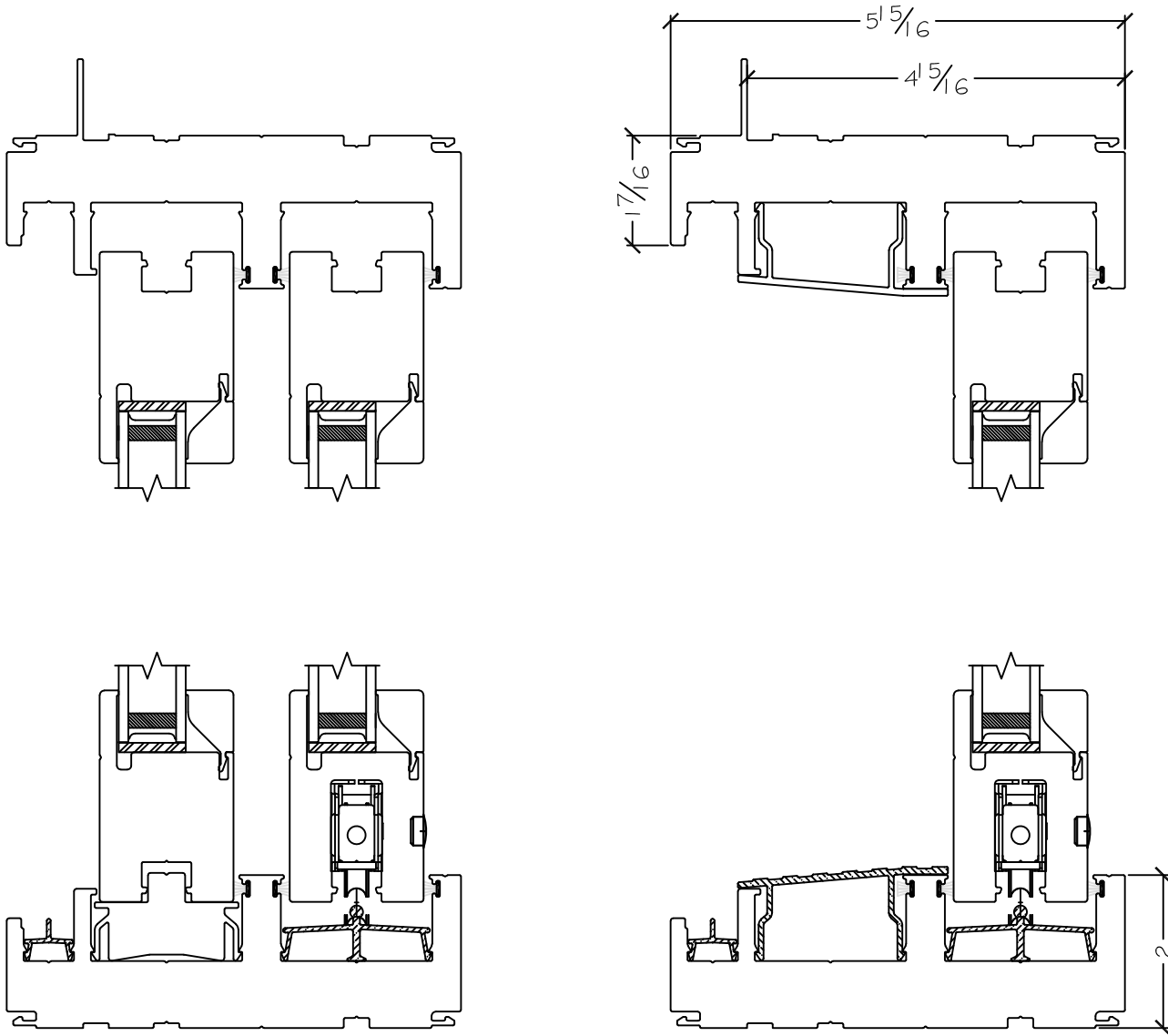
Layout: Horizontal Section View

Drawn by: J Johnson

Notice: This document contains information proprietary to and is protected by copyright of Win-Dor Inc. and shall not be copied, disclosed to others, or used for any purpose other than that for which it is given, without the written permission of Win-Dor Inc.

WINDOR
www.windorsystems.com

450 Delta Ave
Brea, Ca 92821
(714) 385-1202



Notice: This document contains information proprietary to and is protected by copyright of Win-Dor Inc. and shall not be copied, disclosed to others, or used for any purpose other than that for which it is given, without the written permission of Win-Dor Inc.



450 Delta Ave
 Brea, Ca 92821
 (714) 385-1202

Project:	File name: 2750 Patio Door - OX Section Views - 1 inch Nail-fin_20180809	Date: 20180613
Notes:	Layout: Vertical Section View	Drawn by: J Johnson